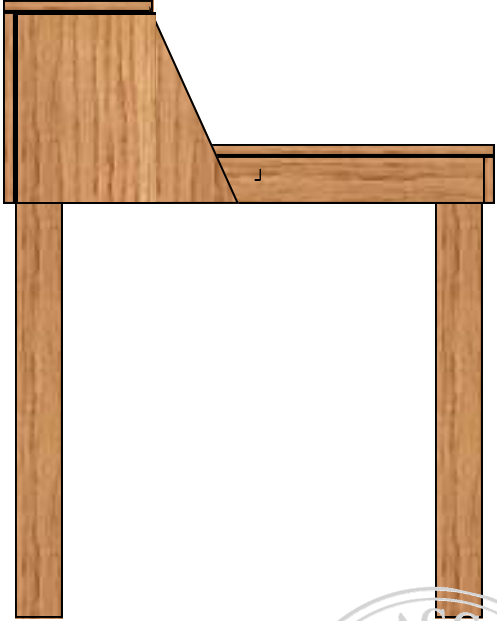
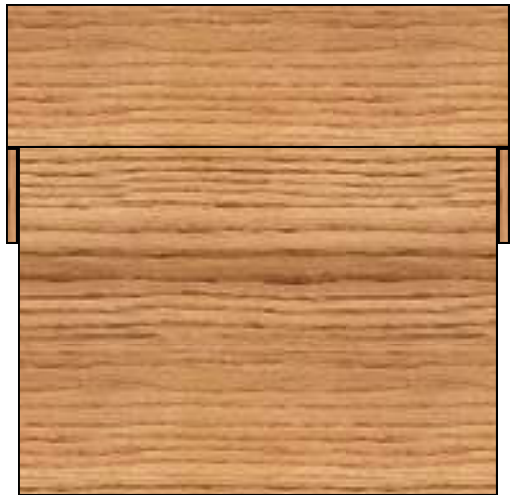
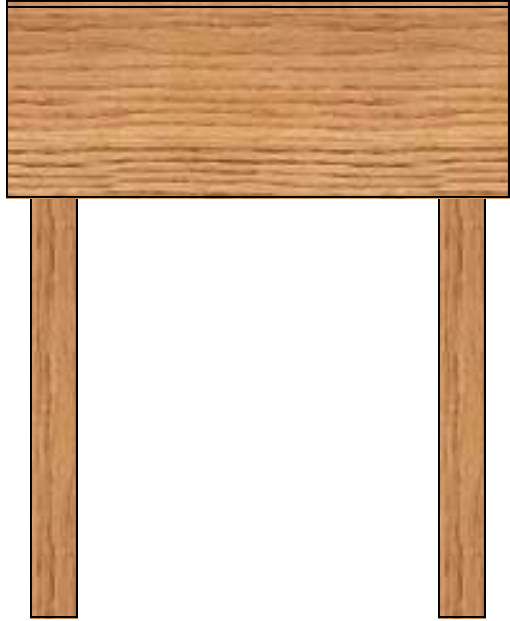
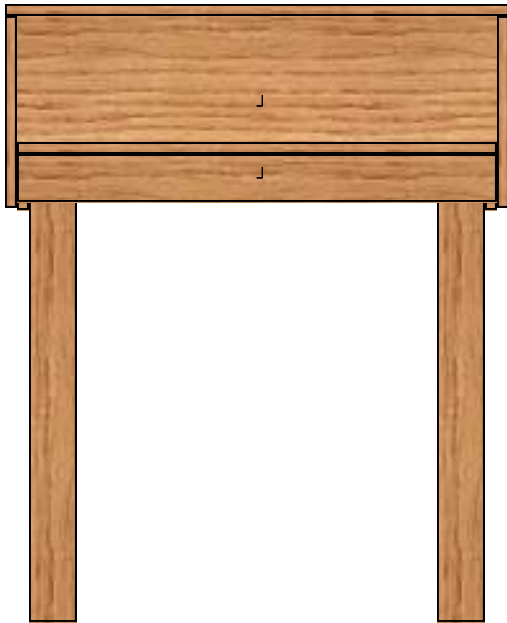




CIGAR
ROLLING TABLE
CONSTRUCTION PLANS



Materials List

3/4" Drywall or Decking Screws

1" Drywall or Decking Screws

1" Finishing Nails

You can use our wood specifications or adjust to suit your space.

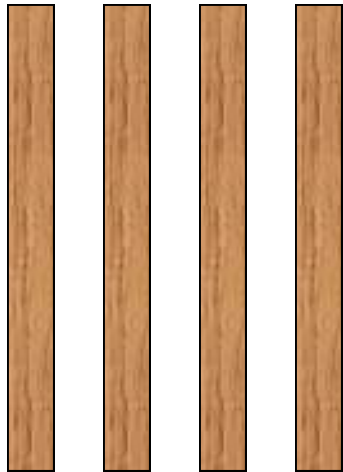
FRONT FACE
(1) 3/4 x 12 x 31 1/2



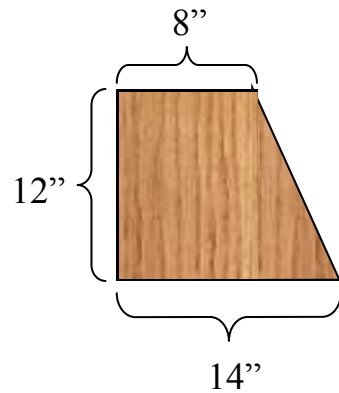
TOP SHELF
(1) 3/4 x 9 x 31 1/2



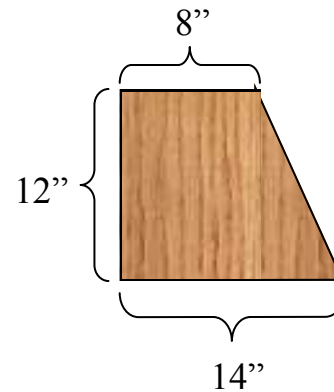
TABLE TOP
(1) 3/4 x 30 x 30



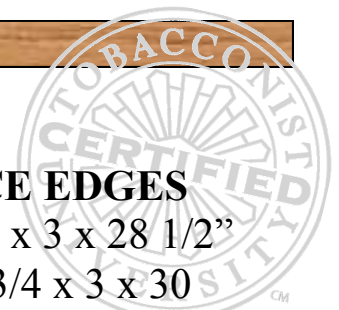
LEGS
(4) 3 x 3 x 29 1/4"



SIDE FACES
(2) 3/4"



FACE EDGES
(2) 3/4 x 3 x 28 1/2"
(1) 3/4 x 3 x 30





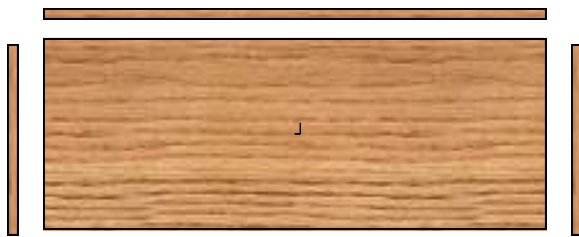
TURN TOP UPSIDE DOWN



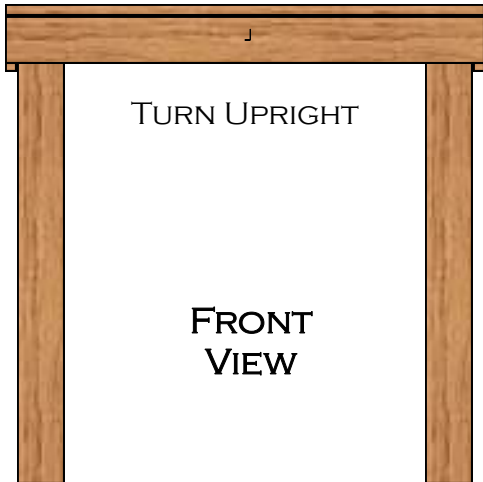
BOTTOM VIEW



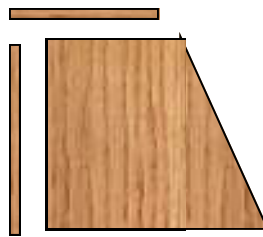
ATTACH LEGS



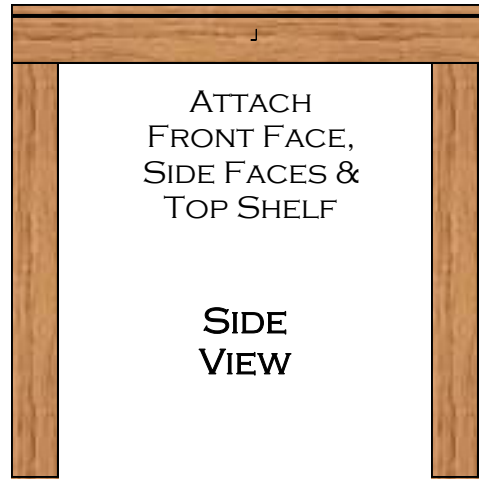
TURN UPRIGHT



FRONT VIEW



ATTACH FRONT FACE,
SIDE FACES &
TOP SHELF



SIDE VIEW



STAIN & FINISH

SIDE VIEW

